

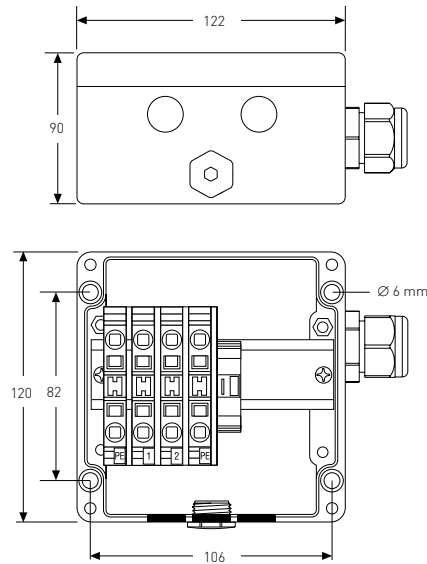
MF-EX-20 AND MF-EX-20-EP

MATERIALS OF CONSTRUCTION

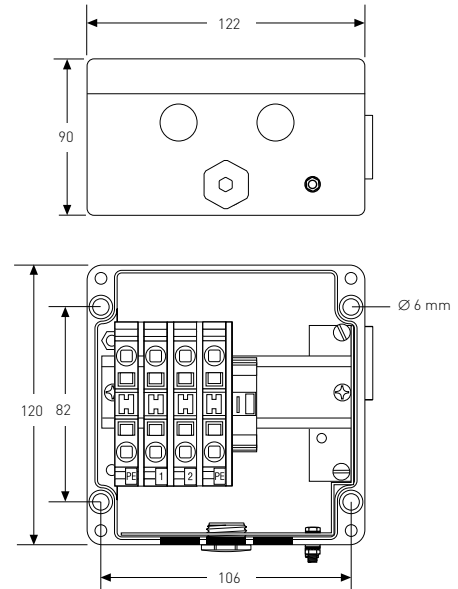
Box & lid	Electrostatic charge-resistant glass-filled engineered polymer, black	Electrostatic charge-resistant glass-filled engineered polymer, black
Sealing gasket	Silicone rubber	Silicone rubber
Lid fixing screws	Stainless steel (captive)	Stainless steel (captive)
Earthing plate	N.A.	Steel, zinc plated and blue chromated

DIMENSIONS (IN MM)

MF-EX-20



MF-EX-20-EP



INGRESS PROTECTION

IP66

IP66

AMBIENT TEMPERATURE RANGE

-55°C to +55°C

-55°C to +55°C

TERMINALS

Quantity	4 pcs, spring-type	4 pcs, spring-type
Labeling	1, 2 + 2 x PE	1, 2 + 2 x PE
Maximum conductor size	10 mm ² (solid & stranded)	10 mm ² (solid & stranded)
Maximum operating voltage	590 Vac	590 Vac
Maximum operating current	53 A	53 A

ACCESSORIES (TO BE ORDERED SEPARATELY)

Support bracket	SB-100, SB-101, SB-110, SB-111	SB-100, SB-101, SB-110, SB-111
Power cable gland	GL-36-M25 (included)	GL-38-M25-METAL (optional)
Loose terminals (*)	Phase/neutral terminal: Earth terminal: End plate: Terminal jumper:	WAGO-PHASE WAGO-EARTH WAGO-ENDPLATE WAGO-JUMPER
Connection kit for FMT and FHT heating cables	C20-01-F hot applied connection kit with plastic gland	C20-02-F cold applied connection kit with metal gland
Insulation entry kit for FMT and FHT heating cables	IEK-25-04 or IEK-25-PIPE	IEK-25-04 or IEK-25-PIPE
Gland for PI cold leads	GL-44-M20-KIT hazardous area approved gland	GL-44-M20-KIT hazardous area approved gland
Insulation entry kit for PI cold leads	IEK-20-PI	IEK-20-PI
Stopping plug	PLUG-M20-EXE-PLASTIC	PLUG-M20-EXE-PLASTIC

ORDERING DETAILS

Order reference	MF-EX-20	MF-EX-20-EP
Part number (Weight)	2000-M18 (0.9 kg)	2000-M19 (1 kg)

(*) in total no more than 6 terminals of this type should be installed.